

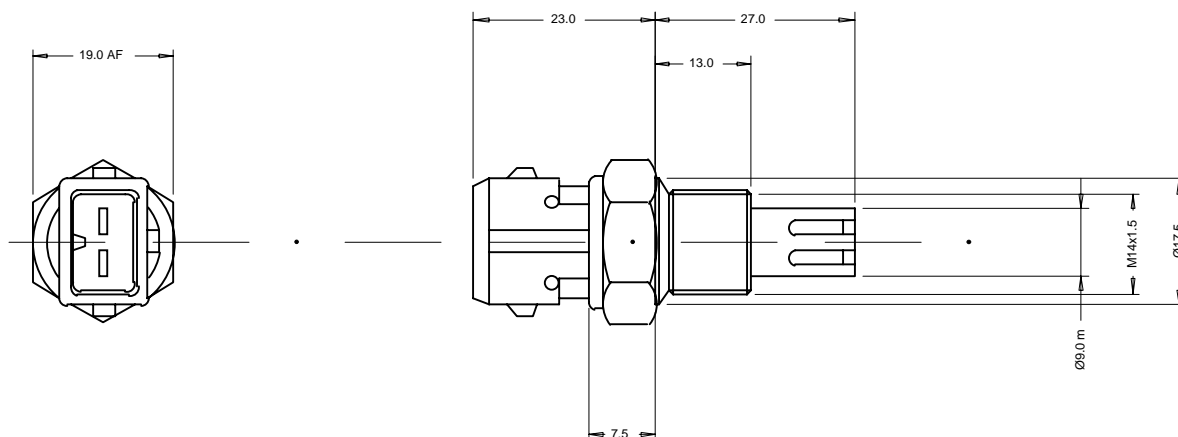
ATS04

NTC Weber Air Temperature Sensor



Description

The ATS04 is an analogue sensor with a temperature dependant resistor providing a variable resistance across the 2 contacts. Signal is negative temperature coefficient (NTC). Active device is a thermistor fitted coated leads in a hermetically sealed brass housing.



Technical Data

Resistance 3 k Ω
..... @ 25 °C
Accuracy from nominal values 5% (W/°C)
..... @ -40 > +125 °C
Maximum operating voltage 5 V (series)
Thread M14 x 1.5
Seal 19mm Hex
Weight 26 g
Connector Mini – Timer 2 way
Max tightening torque 24 Nm

Temperature	Resistance
°C	k Ω
-40	100.95
-30	53.10
-20	29.12
-10	16.60
0	9.75
10	5.97
20	3.75
25	3.00
30	2.42

Temperature	Resistance
°C	k Ω
40	1.60
50	1.08
60	0.75
70	0.53
80	0.38
90	0.28
100	0.20
110	0.15
125	0.10

Ordering information

Part No.	Connector	Description	Order Code
ATS04	2 way minitimer	Air temperature sensor	83800241000

MM Competition Systems Ltd
Unit 3, Old Station Business Park,
Compton, Berkshire,
RG20 6NE
England

For further details please contact

Tel: +44 (0)8707 444666
Fax: +44 (0)8707 444888
www.mmcompsys.com
mail@mmcompsys.com